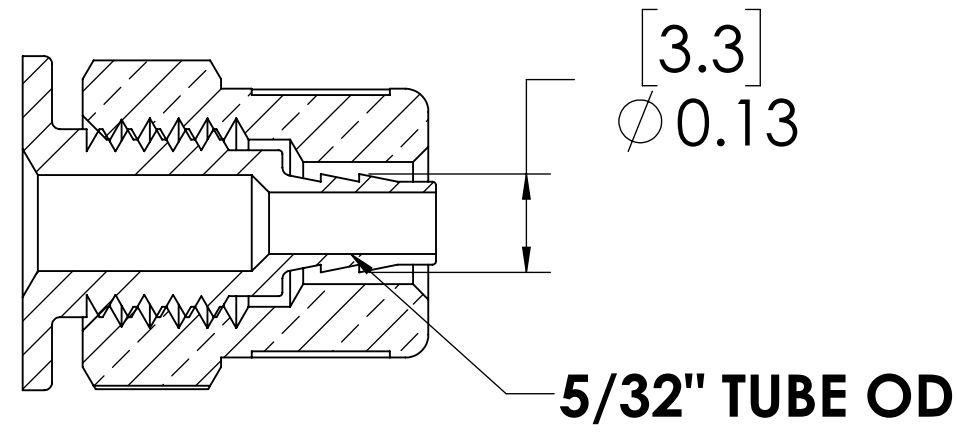
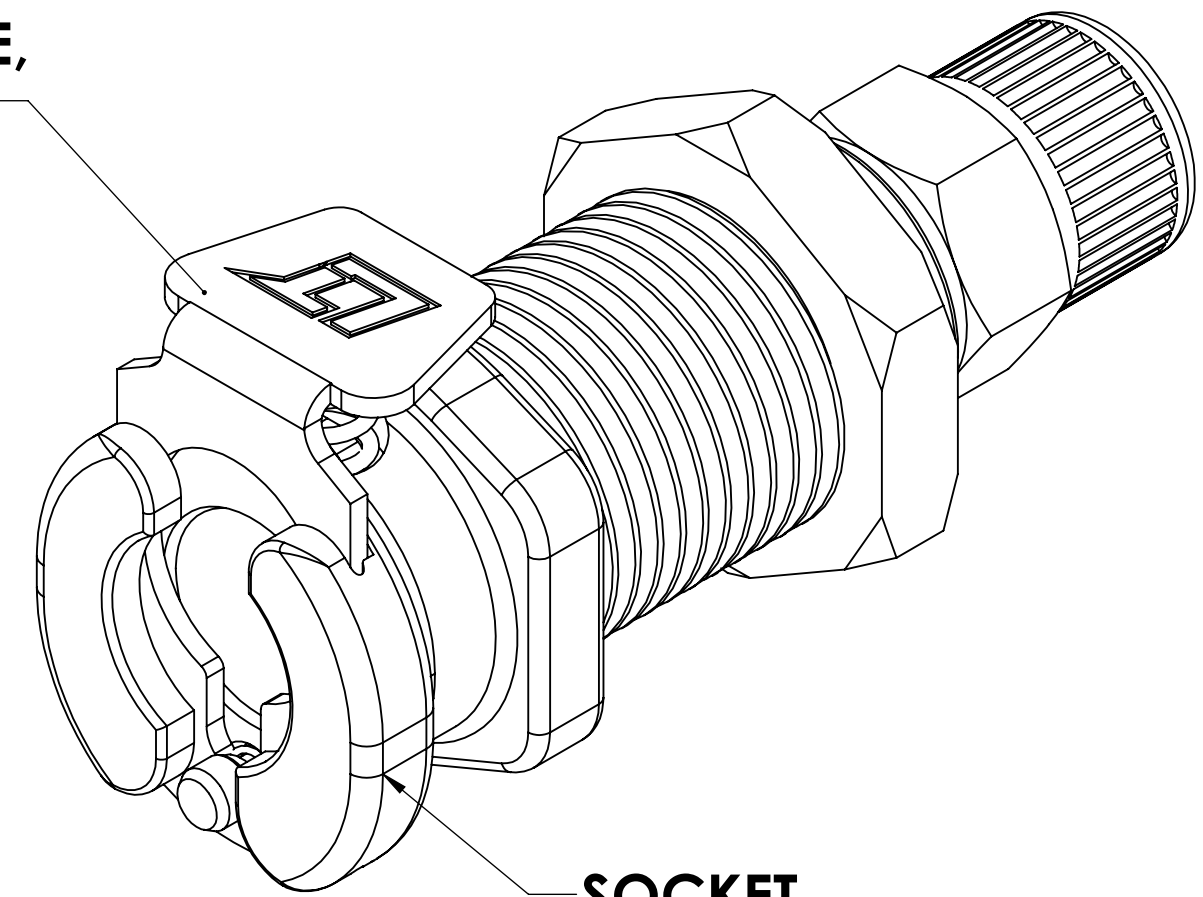


REVISIONS						
SHEET	ZONE	REV.	ECO	DESCRIPTION	DATE	APPROVED
1	ALL	A	50242	UPDATE DWG TO CURRENT FORMAT & STANDARDS	10/4/2018	HRC

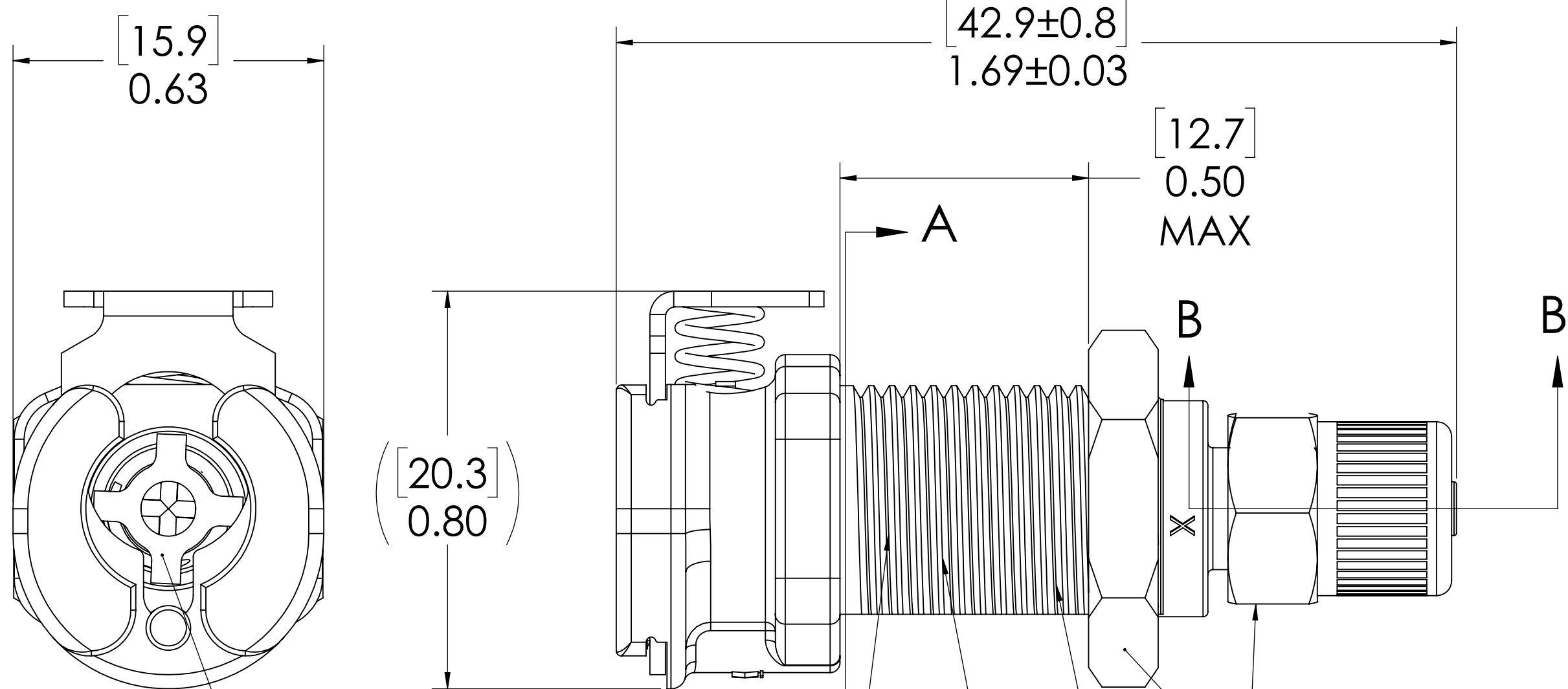


SECTION B-B  
SCALE 4 : 1

LATCH HARDWARE,  
(STAINLESS STEEL)



SOCKET,  
(ACETAL)



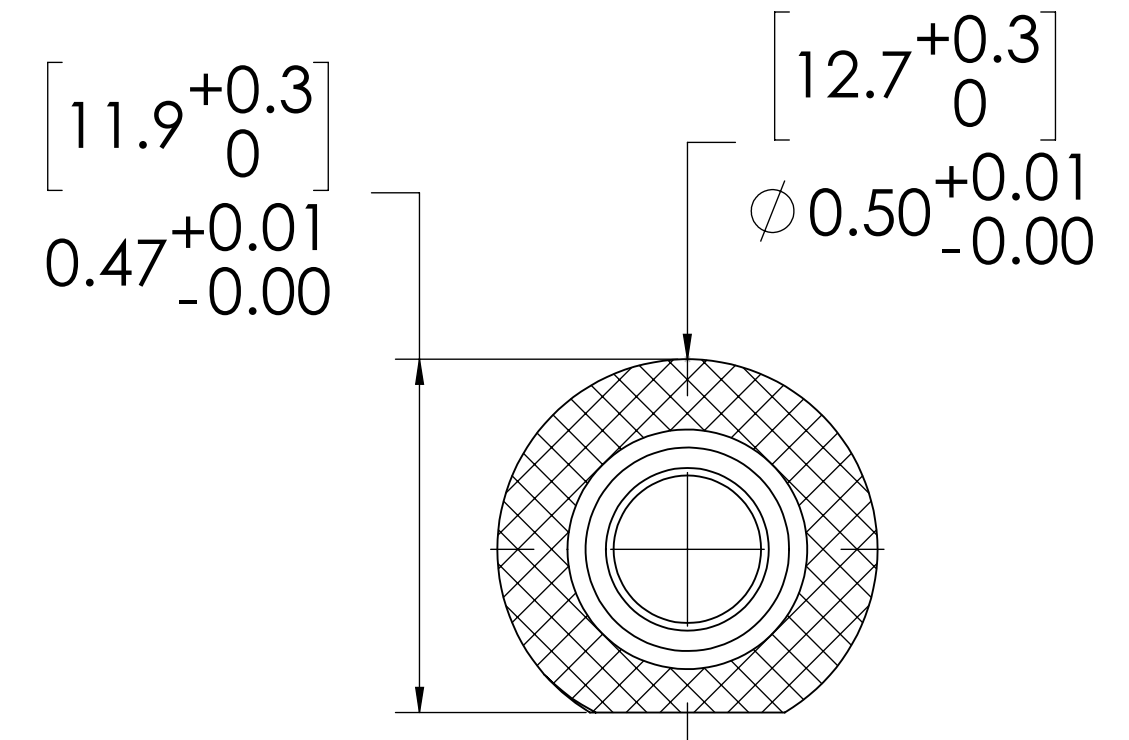
VALVE,  
(ACETAL)

VALVE O-RING,  
INTERNAL  
(BUNA-N)

VALVE SPRING,  
INTERNAL  
(STAINLESS STEEL)

PANEL NUT & PTF NUT  
(BRASS, NICKEL PLATED)  
PACKAGED SEPARATELY

1/2"-24 THREAD



PANEL OPENING  
(SECTION A-A)

**NOTES:**

- MATERIAL: ACETAL
- COLOR: NATURAL WHITE
- O-RING MATERIAL: BUNA-N
- O-RINGS LUBRICATED WITH FOOD GRADE SILICONE OIL, 350 CST.

**FOR REFERENCE ONLY**

<small>UNLESS OTHERWISE SPECIFIED: DIMENSIONS ARE IN INCHES TOLERANCES: FRACTIONAL ± 1/32 ANGULAR: MACH ± 0.5 BEND ± 2 ONE PLACE DECIMAL ± 0.1 TWO PLACE DECIMAL ± 0.01 THREE PLACE DECIMAL ± 0.005 TWO PLACE DUAL (mm) [± 0.12]</small>	DRAWN	ER	09-27-17	
	CHECKED	HRC	09-27-17	
	ENG APPR.	HRC	10/4/18	
	MFG APPR.	BDB	10/4/18	
PRODUCTION	LS	10/4/18		<b>PART NO:</b> 20ACV-SB8-025 <b>DESCRIPTION:</b> LinkTech 20AC Series Panel Mt. Female, Valved, 5/32 PTF, Natural Acetal
<small>PROPRIETARY AND CONFIDENTIAL THE INFORMATION CONTAINED IN THIS DRAWING IS THE SOLE PROPERTY OF LINKTECH LLC. ANY REPRODUCTION OR DISCLOSURE IN PART OR AS A WHOLE WITHOUT THE WRITTEN PERMISSION OF LINKTECH LLC IS STRICTLY PROHIBITED.</small>	COMMENTS:			<b>SIZE</b> DWG. NO. REV <b>C</b> 20AC200346 <b>A</b>
SCALE: NTS		WEIGHT:	SHEET 1 OF 1	